

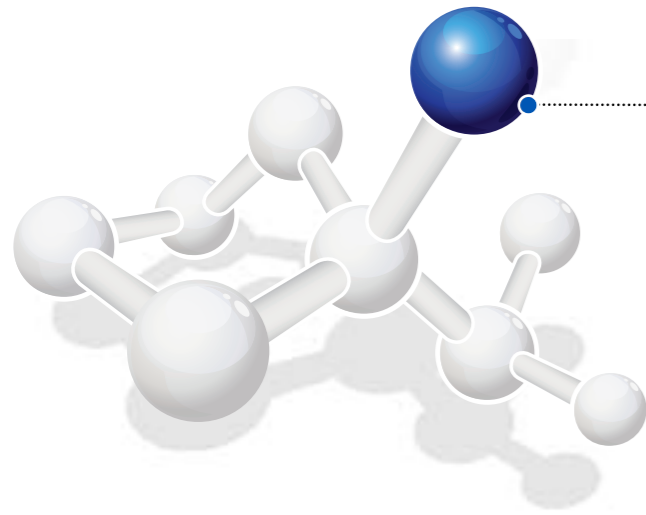
Abloy UK
School Street
Willenhall, West Midlands
WV13 3PW

Phone +44 (0)1902 364500
Fax +44 (0)1902 364501
Email sales@abloy.co.uk
www.abloy.co.uk

Direct line - Sales Office
0845 071 3844 (UK only)
Direct line - Customer Services
0845 071 3855 (UK only)
Calls charged at local network rates

From product supply through to planned and implemented door control solutions... it's in our DNA

We are the UK's leading experts on door locking and functionality. Our product range, including electric locking, connects like the molecular diagram below, to form complete, secure, compliant and lasting solutions trusted by organisations around the UK and Ireland for whom compromise is not an option.



Product supply >

Simply order the products you need from our friendly and knowledgeable staff

Expertise >

Helpful advice when you need it from our door control specialists

Planning and specification >

For larger projects, call on us for full service assessment and planning of your needs, from fire exiting and compliance to master key strategies

Due to a continuous programme of development, Abloy UK reserves the right to make alterations without notice. For technical reasons connected with colour reproduction the colours shown may vary slightly from those of the product. All dimensions provided within this catalogue are approximate and for guidance only.

E. & O. E. For terms and conditions of sale, please refer to the current price list.

Abloy UK markets high quality products and accessories for security applications. Our customer base provides solutions to a broad spectrum of public and private organisations throughout the UK and Ireland.



ISO9001:2000

Certificate number FSS04352

ABLOY® ELECTRIC LOCKS

World class. Highly adaptable, with incomparable functionality and build quality, our electric locks, manufactured by the market leaders from Finland, provide a high specification solution for all door and access control systems.



VERSION: APRIL-11

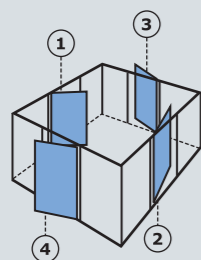
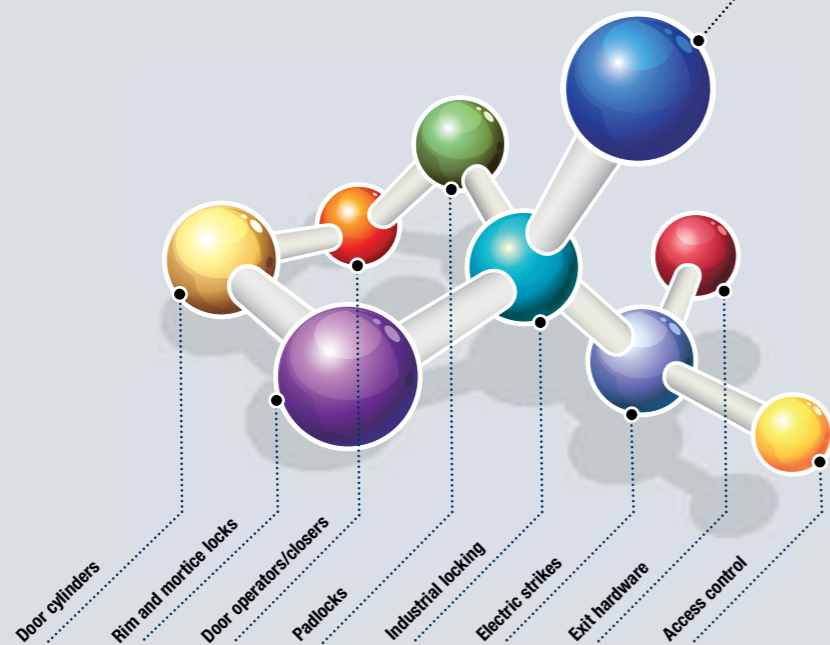
Uniclass
L418184
CI/SfB
(31.59) X17

Integrated door control solutions... it's in our DNA

Abloy UK are the leading electric locking provider in the UK and Ireland and we are pleased to welcome you to this catalogue of our products.

Electric locking forms just part of our total service, with a wide range of products and capabilities that integrate perfectly - like our molecular diagram below - to provide a complete door security and functionality solution. There is a catalogue for every category below and you can find our products online at www.abloy.co.uk.

To gain advice or expertise with planning, specification and implementation of any door solution, call us on +44 (0)1902 364500.



Handing

The correct hand of a door can be selected using this diagram. Standing inside the box looking out, choose your door hand from 1 to 4, determined by the hinge side and if the door opens inwards or outwards.



The key flag logo confirms that ABLOY® products have a Finnish origin

Finnish-made ABLOY® products are known worldwide for their high quality and performance; globally ABLOY® is the leader in high quality locking solutions. You can be confident that the products in this catalogue have been manufactured in Finland to the highest standards.



Electric locking power to your door security

Abloy's extensive range of electric locks offer superior technology as well as unsurpassed levels of functionality and durability, making them the natural specification for a high-traffic, high security environment. Suitable for use in all kinds of access control systems – digital, card swipe or proximity – ABLOY® electric locks ensure freedom of egress as well as maintaining the security of each door.

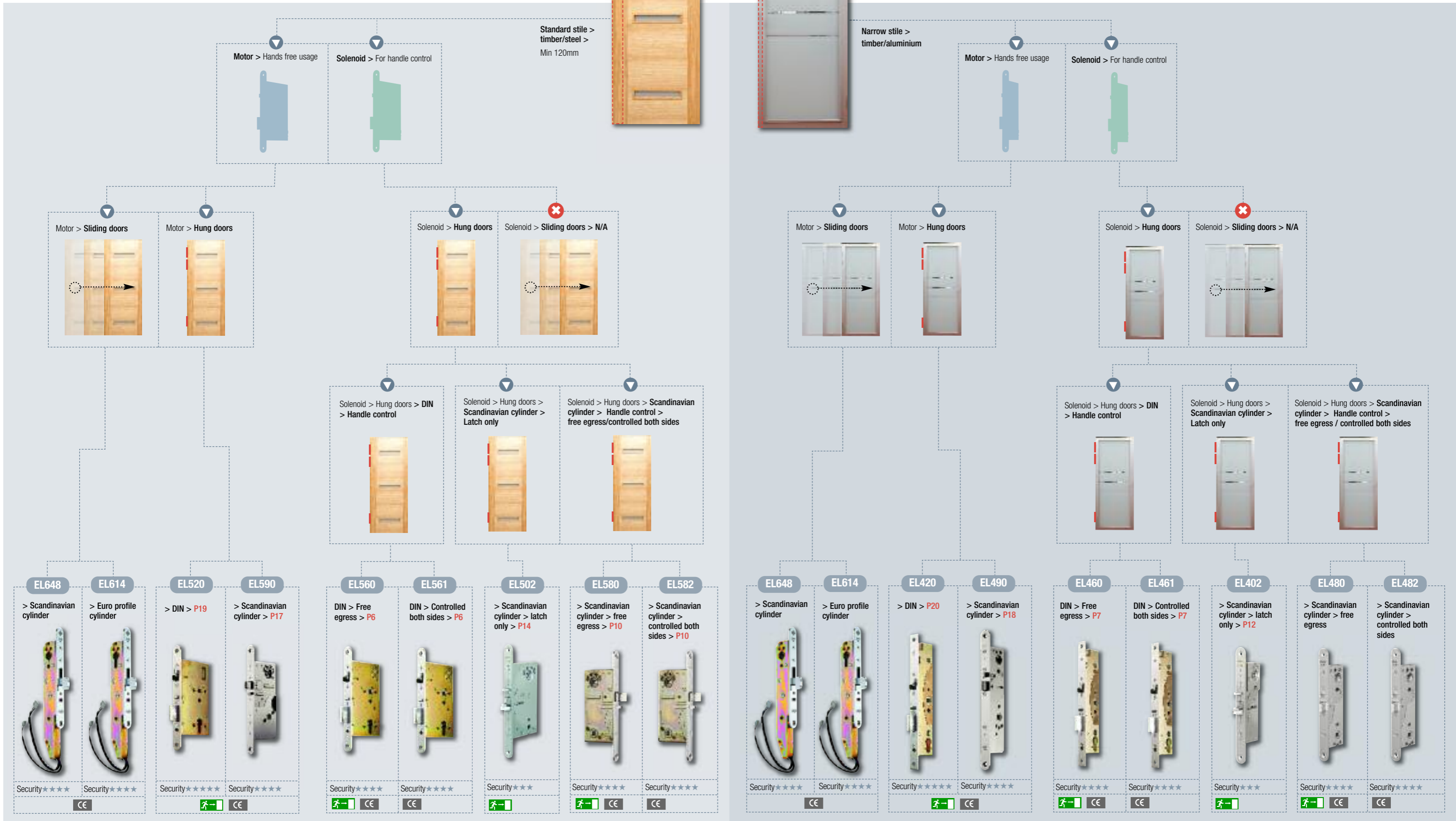
Ideal for high security areas, whether internal doors or final exits, ABLOY® electric locks are designed to work in conjunction with access, door automation and hands-free systems. Abloy's range of electric locks includes both motor locks with bolts withdrawn by motor, as well as solenoid locks with handles or free mechanisms engaged by solenoids.



Choosing the right electric lock

With such a wide range of locking functions, choosing the correct locking mechanism can sometimes be quite complicated. We have created this selection guide as a tool to point

you in the right direction. If you need any further assistance for swing-through doors and other specialist applications, please contact our Sales Office for advice on: +44 (0)1902 364 500.



EL560

For wooden or metal doors, with deadbolt and anti-friction bolt, fail locked/fail unlocked. Outside handle controlled

Meets EN1125 when used with 990000-SE panic bar

Outside handle operates when engaged by solenoid
Inside handle operates at all times

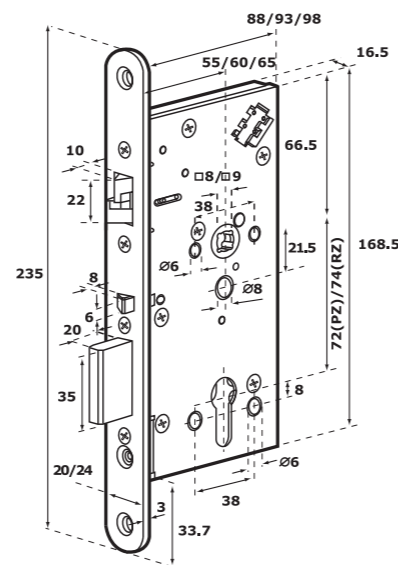
HIGH SECURITY ★★★★★

EL561

For wooden or metal doors, with deadbolt and anti-friction bolt, fail locked/fail unlocked.

Both handles electrically controlled

HIGH SECURITY ★★★★★

**Features**

- Easily reversible trigger bolt, suitable for all hands of door
- Quick change fail locked to fail unlocked
- Deadbolt and anti-friction bolt deadlock when door closes
- Meets EN179 (EL560 only) for emergency exit doors and EN1634-1 for fire resistance when used with correct exit hardware

- Tested to mechanical resistance EN12209
- Key override at all times

Monitoring

- Request to exit (RQE) on inside handle (EL560)
- Bolt position
- Door position
- Cylinder operation

Fitting

- Please add 10mm to the case depth to allow for cable socket and plug



TECHNICAL SPECIFICATION	EL560	EL561
Operating voltage +15%, -10%	12V DC to 24V DC stabilised	12V DC to 24V DC stabilised
Current max		
12V DC	350mA	350mA
24V DC	250mA	250mA
Temperature (°C)	-20 to +60	-20 to +60
Backset (mm)		
Standard	65	65
Special	55 and 60	55 and 60
Forend (mm)		
Standard	24	24
Special	20	20
Follower (mm)	9	9
Forend finish	SSS	SSS

ACCESSORIES	EL560	EL561
Cylinder double	–	CY327/CY322 CY337/CY332
Cylinder single	CY326 / CY321 CY336 / CY331	–
Cylinder and turn	–	CY328/CY323 CY338/CY333
Strike (included)	EA322	EA322
Handles (Futura)	60-319-SSS 60-419-SSS	60-319-SSS 60-419-SSS
Cable	807671 (inc) EA218 (optional)	807671 (inc) EA218 (optional)
Rebate set	Reb 21, 22 or 23	Reb 21, 22 or 23
Spindle converter (8-9mm) included	807227	807227

NB. Unless otherwise stated all electro-mechanical lockcase cylinders will be supplied as ABLOY PROTEC

SSS: Satin stainless steel

For handles please see pages 24-27.

EN1125 solution EL560

Panic bar 990000-SE

New Product

**EL460**

For narrow stile doors, with anti-friction bolt, fail locked/fail unlocked. Outside handle controlled

Meets EN1125 when used with 990001-SE panic bar

Inside handle operates at all times

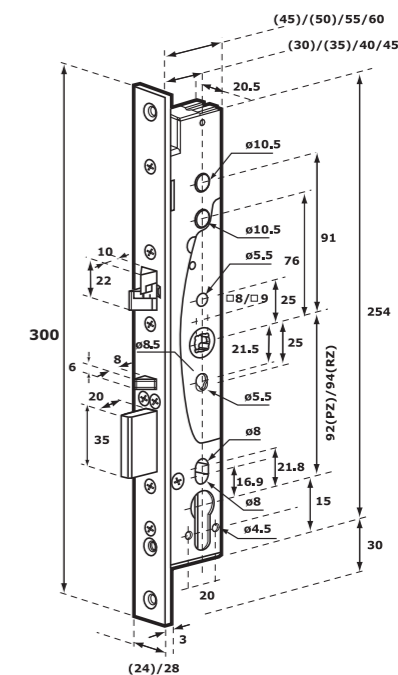
HIGH SECURITY ★★★★★

EL461

For narrow stile doors, with anti-friction bolt, fail locked/fail unlocked.

Both handles electrically controlled

HIGH SECURITY ★★★★★

**Features**

- Easily reversible trigger bolt, suitable for all hands of door
- Quick change fail locked to fail unlocked
- Deadbolt and anti-friction bolt deadlock when door closes
- Meets EN179 for emergency exit doors (EL460 only) and EN1634-1 for fire resistance (when used with correct exit hardware)

- Tested to mechanical resistance EN12209
- Key override at all times

Monitoring

- Request to Exit (RQE) on inside handle (EL460)
- Bolt position
- Door position
- Cylinder operation

Fitting

- For wooden doors please add 10mm to lockcase height above fitting to allow for cable socket and plug
- For wooden doors forend extension will be required



TECHNICAL SPECIFICATION	EL460	EL461
Operating voltage +15%, -10%	12V DC to 24V DC stabilised	12V DC to 24V DC stabilised
Current max		
12V DC	350mA	350mA
24V DC	250mA	250mA
Temperature (°C)	-20 to +60	-20 to +60
Backset (mm)		
Standard	30, 35	30, 35
Special	40, 45	40, 45
Forend (mm)		
Standard	24	24
Special	28	28
Follower (mm)	9	9
Split spindle (mm)	8	8
Forend finish	SSS	SSS

ACCESSORIES	EL460	EL461
Cylinder double	–	CY327/CY322 CY337/CY332
Cylinder single	CY326/CY321 CY336/CY331	–
Cylinder and turn	–	CY328/CY323 CY338/CY333
Strike (included)	EA322	EA322
Handles (Futura) (Inoxi)	60-0819-SSS 3-19X/013PZ+PZ-SSS	60-0819-SSS 3-19X/013PZ+PZ-SSS
Cable (included)	EA218 (inc)	EA218 (inc)
Spindle converter (8-9mm) included	807227	807227

NB. Unless otherwise stated all electro-mechanical lockcase cylinders will be supplied as ABLOY PROTEC

SSS: Satin stainless steel.

For handles please see pages 24-27.

EN1125 solution EL460

Panic bar 990001-SE

New Product





EL566

Multipoint solution

For wooden or metal doors, with deadbolt and anti-friction bolt, fail locked/fail unlocked.

Outside handle operates when engaged by solenoid

Meets EN1125 when used with 990000-SE panic bar

HIGH SECURITY ★★★★★



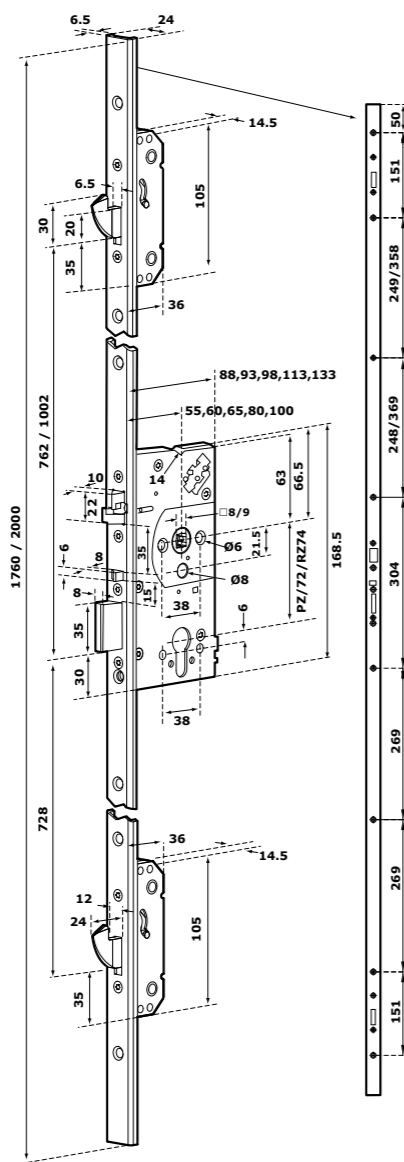
EL567

Multipoint solution

For wooden or metal doors, with deadbolt and anti-friction bolt, fail locked/fail unlocked.

Both handles electrically controlled

HIGH SECURITY ★★★★★



Features

- Easily reversible trigger bolt, suitable for all hands of door
- Quick change fail locked to fail unlocked
- Deadbolt and anti-friction bolt deadlock when door closes
- Inside handle operates at all times
- Meets EN179 for emergency exit doors and EN1634-1 for fire resistance (when used with correct exit hardware)
- Tested to mechanical resistance EN12209
- Outside handle operates when engaged by solenoid
- Key override at all times

Monitoring

- Request to exit (RQE) on inside handle
- Bolt position
- Door position
- Cylinder operation

Fitting

- Please add 10mm to the case depth to allow for cable socket and plug



EL466

Multipoint solution

For narrow stile doors, with anti-friction bolt, fail locked/fail unlocked.

Outside handle controlled

Meets EN1125 when used with 990001-SE panic bar

HIGH SECURITY ★★★★★



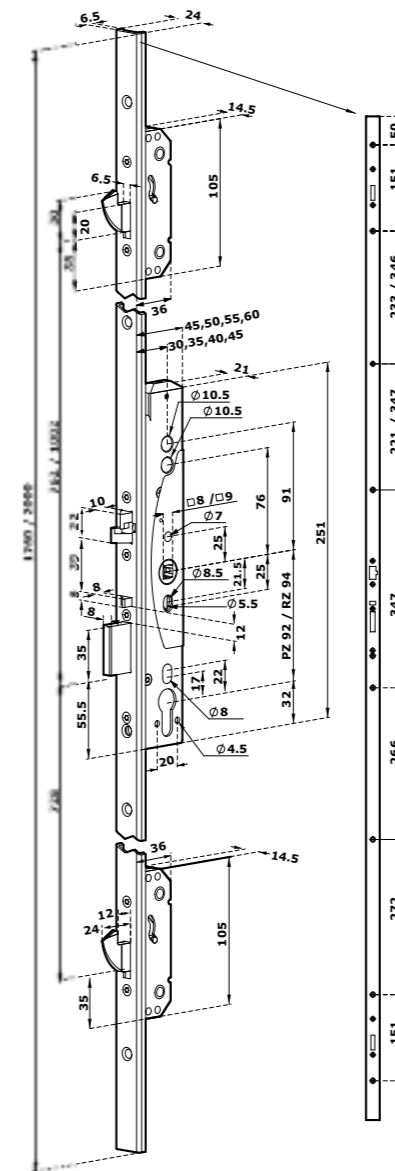
EL467

Multipoint solution

For narrow stile doors, with anti-friction bolt, fail locked/fail unlocked.

Both handles electrically controlled

HIGH SECURITY ★★★★★



Features

- Easily reversible trigger bolt, suitable for all hands of door
- Quick change fail locked to fail unlocked
- Deadbolt and anti-friction bolt deadlock when door closes
- Inside handle operates at all times
- Meets EN179 for emergency exit doors and EN1634-1 for fire resistance (when used with correct exit hardware)
- Tested to mechanical resistance EN12209
- Key override at all times

Monitoring

- Request to exit (RQE) on inside handle (EL466)
- Bolt position
- Door position
- Cylinder operation

Fitting

- For wooden doors please add 10mm to lockcase height above fitting to allow for cable socket and plug



TECHNICAL SPECIFICATION	EL566
Operating voltage +15%, -10%	12V DC to 24V DC stabilised
Current max	
12V DC	350mA
24V DC	250mA
Temperature (°C)	-20 to +60
Backset (mm)	
Standard	65
Special	55 and 60
Forend (mm)	
Standard	24
Special	20
Follower (mm)	9
Forend finish	SSS

ACCESSORIES	EL566
Cylinder single	CY326 / CY321 CY336 / CY331
Cylinder and turn	-
Strike (included)	EA322 and 2 x EA306
Handles (Futura)	60-0319-SSS 60-0419-SSS
Cable	807671 (inc) EA218 (optional)
Rebate set	Reb 21, 22 or 23
Spindle converter (8-9mm) included	807227

NB. Unless otherwise stated all electro-mechanical lockcase cylinders will be supplied as ABLOY PROTEC
SSS: Satin stainless steel
For handles please see pages 24-27.



EN1125 solution

EL566

Panic bar

990000-SE

TECHNICAL SPECIFICATION	EL466
Operating voltage +15%, -10%	12V DC to 24V DC stabilised
Current max	
12V DC	350mA
24V DC	250mA
Temperature (°C)	-20 to +60
Backset (mm)	
Standard	30, 35
Special	40, 45
Forend (mm)	
Standard	24
Special	28
Follower (mm)	9
Split spindle (mm)	8
Forend finish	SSS

ACCESSORIES	EL466
Cylinder single	CY326/CY321 CY336/CY331
Cylinder and turn	-
Strike (included)	EA322 and 2 x EA306
Handles (Futura) (Inoxi)	60-0819 3-19X/013PZ+PZ-SSS
Cable (included)	EA218 (inc)
Spindle converter (8-9mm) included	807227

NB. Unless otherwise stated all electro-mechanical lockcase cylinders will be supplied as ABLOY PROTEC
SSS: Satin stainless steel.
For handles please see pages 24-27.



EN1125 solution

EL466

Panic bar

990001-SE

▼ **EL580**

For wooden or metal doors, with deadlocked latchbolt, fail locked/fail unlocked

Bolt position and handle operation

Outside handle controlled

Request to exit (RQE)

Selection of controlled follower side

HIGH SECURITY ★★★★★

▼ **EL582**

For wooden or metal doors, with deadlocked latchbolt, fail locked/fail unlocked

Bolt position and handle operation

Both handles controlled

HIGH SECURITY ★★★★★

▼ **PE580**

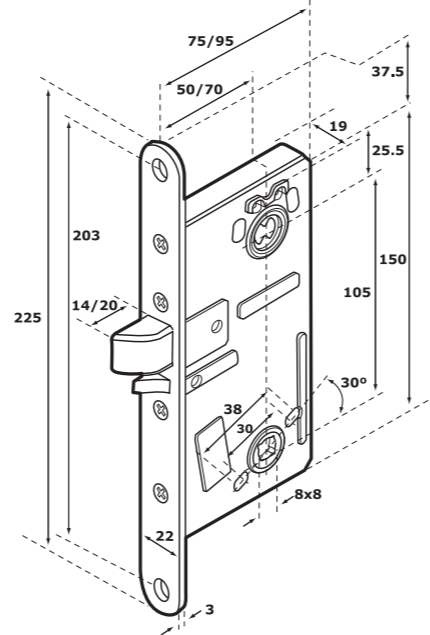
For wooden or metal doors, with deadlocked latchbolt, fail locked/fail unlocked

Outside handle controlled

Bolt position and handle operation

For use with PBE-001 for EN1125 exit solution

HIGH SECURITY ★★★★★



▼ **EL410**

For narrow stile doors, with single action bolt, fail locked

Bolt collapses when power on

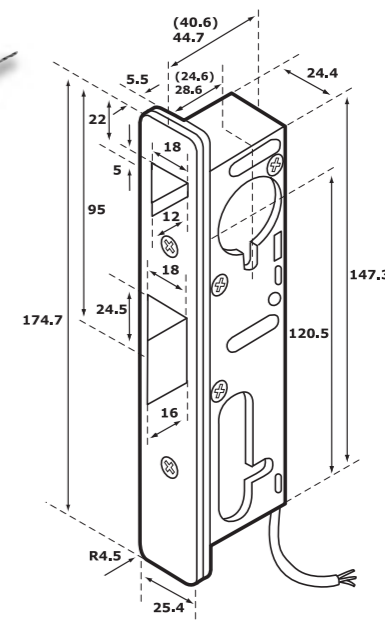
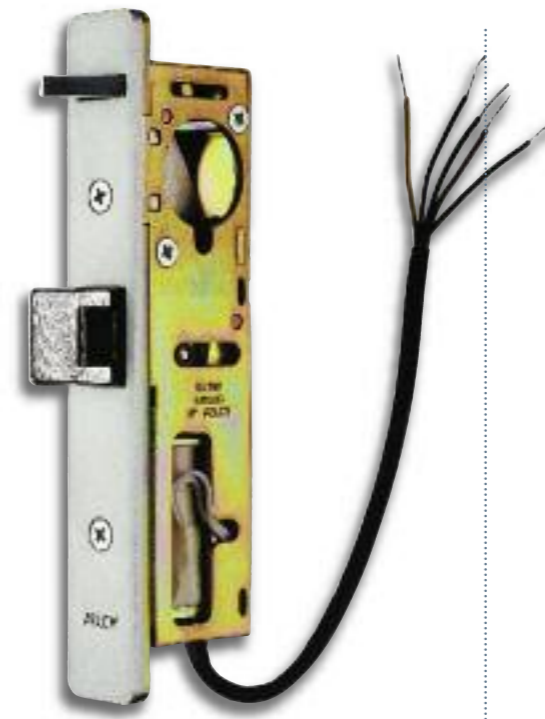
HIGH SECURITY ★★★★★

▼ **EL411**

For narrow stile doors, with single action bolt, fail unlocked

Bolt collapses when power off

HIGH SECURITY ★★★★★



Features

- Easily reversible trigger bolt and deadbolt, suitable for all hands of door
- Quick change fail locked to fail unlocked
- Selectable 14mm or 20mm deadbolt throw (PE580: 14mm only)
- Automatic deadlocking of deadbolt only when door shuts

- Meeting EN179 and EN1125 for emergency and panic exit doors and EN1634-1 for fire resistance (inside handle can be operated at all times (EL580 and PE580 only)
- Retrofits mechanical Scandinavian mortice locks



Features

- Bolt deadlocks when door closes
- Bolt collapses into lockcase as door is opened (push or pull)
- Inside handle operates at all times
- Key override at all times

Monitoring

- Bolt position locked and unlocked



TECHNICAL SPECIFICATION	EL580	EL582	PE580
Operating voltage +15%, -10%	12V DC to 24V DC stabilised	12V DC to 24V DC stabilised	12V DC to 24V DC stabilised
Current max			
Idle	120mA	120mA	120mA
Norm	—	—	—
Max	350mA	350mA	350mA
Temperature (°C)	-20 to +60	-20 to +60	-20 to +60
Backset (mm)			
Standard	50 and 70	50 and 70	50 and 70
Special	—	—	—
Follower (mm)	8	8	8
Forend finish	Polished Chrome	Polished Chrome	Polished Chrome

ACCESSORIES	EL580	EL582	PE580
Cylinder double	—	CY002	—
Cylinder single	CY037	—	CY037
Cylinder and turn	—	CY001	—
Strike (included)	LP712	LP712	LP712
Handles (Futura)	60-0519-PSS* 60-0619-PSS** 6/007 (double)	60-0619-PSS 6/007 (double)	60-0519-PSS* 60-0619-PSS** 6/007 (double)
(Primo)			
Cable	EA210	EA210	EA210
Rebate set	Reb 7 or 8	Reb 7 or 8	Reb 7 or 8

NB. Unless otherwise stated all electro-mechanical lockcase cylinders will be supplied as ABLOY PROTEC

* For lockcases supplied from October 2006

** For lockcases supplied before October 2006

PSS: Polished stainless steel.

For handles please see pages 24-27.

EN1125 solution	PE580
Panic bar	PBE-001



TECHNICAL SPECIFICATION	EL410	EL411
Operating voltage +15%, -10% ±15%	12V DC stabilised 24V DC stabilised	12V DC stabilised 24V DC stabilised
Current max		
12V DC	0.4A	0.4A
24V DC	0.2A	0.2A
Temperature (°C)	-35 to +66	-35 to +66
Backset (mm)		
Standard	24.6	24.6
Special	28.6	28.6
Forend (mm)		
Standard	25.4	25.4
Forend finish	Satin Chrome	Satin Chrome

ACCESSORIES	EL410	EL411
Cylinder double	—	—
Cylinder single	CY404	CY404
Strike	4610(inc) Flat 4	4610(inc) Flat 4
Handles (Paddle)	4591	4591
Threaded thumbturn	4067-SAA	4067-SAA

NB. Unless otherwise stated all electro-mechanical lockcase cylinders will be supplied as ABLOY PROTEC.

For handles please see pages 24-27.



EL402

For narrow stile doors, fail locked

Bolt collapses allowing opening of door when power on

HIGH SECURITY ★★ ★

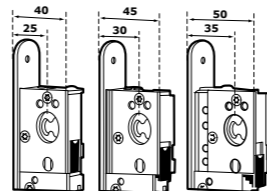
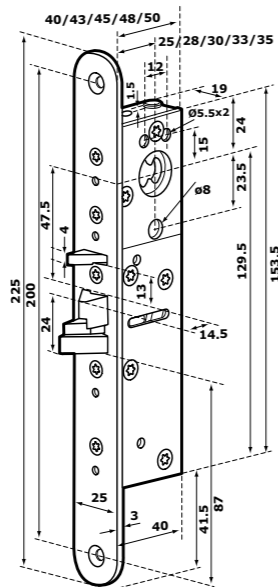


EL402 F/UN

For narrow stile doors, fail unlocked

Bolt collapses allowing opening of door when power off

HIGH SECURITY ★★ ★



• Adjustable backset

Features

- Double action bolt
- Bolt deadlocks when door closes
- Bolt collapses into lockcase as door is opened (push or pull)
- Key/thumbturn override at all times
- Suitable for horizontal installation
- Non-handed
- Steel trigger and deadbolt

Monitoring

- Bolt position locked and unlocked
- NB. It is recommended that mechanical override always be used with this lockcase
- Not recommended for fire route doors, please see effeff 351 U80 (page 16)



TECHNICAL SPECIFICATION	EL402	EL402 F/UN
Operating voltage +15%, -10% ±15%	12V DC stabilised 24V DC stabilised	12V DC stabilised 24V DC stabilised
Current max		
12V DC	0.480mA	0.480mA
24V DC	0.240mA	0.240mA
Temperature (°C)	-20 to +60	-20 to +60
Backset (mm)		
Standard	25	25
Special	30 or 35	30 or 35
Forend finish	Polished Chrome	Polished Chrome

ACCESSORIES	EL402	EL402 F/UN
Cylinder double	CY067	CY067
Cylinder and turn	CY066	CY066
Strikes	Flat 3R, 4, 4692 EA311 or EA312 See strikes page 23	Flat 3R, 4, 4692 EA311 or EA312 See strikes page 23
Cable	EA211	EA211

NB. Unless otherwise stated all electro-mechanical lockcase cylinders will be supplied as ABLOY PROTEC



EL404

For narrow stile doors, fail locked and pierced for Euro profile DIN fittings

Bolt collapses allowing opening of door when power on

HIGH SECURITY ★★ ★

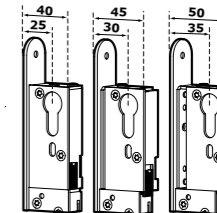
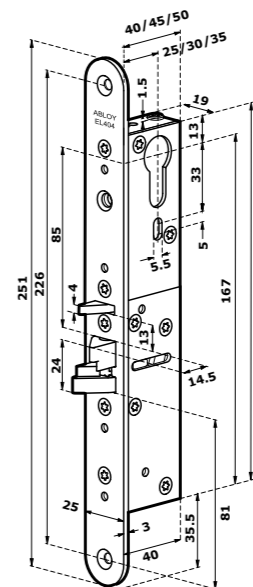


EL404 F/UN

For narrow stile doors, fail unlocked and pierced for Euro profile DIN fittings

Bolt collapses allowing opening of door when power off

HIGH SECURITY ★★ ★



• Adjustable backset

Features

- Double action bolt
- Bolt deadlocks when door closes
- Bolt collapses into lockcase as door is opened (push or pull)
- Key/thumbturn override at all times
- Suitable for horizontal installation
- Non-handed
- Steel trigger and deadbolt

Monitoring

- Bolt position locked and unlocked
- NB. It is recommended that mechanical override always be used with this lockcase
- Not recommended for fire route doors, please see effeff 351 U80 (page 16)



TECHNICAL SPECIFICATION	EL404	EL404 F/UN
Operating voltage +15%, -10% ±15%	12V DC stabilised 24V DC stabilised	12V DC stabilised 24V DC stabilised
Current max		
12V DC	0.48A	0.48A
24V DC	0.24A	0.24A
Temperature (°C)	-20 to +60	-20 to +60
Backset (mm)		
Standard	25	25
Special	30 or 35	30 or 35
Forend finish	Polished Chrome	Polished Chrome

ACCESSORIES	EL404	EL404 F/UN
Cylinder double	CY327 / CY322 CY337 / CY332	CY327 / CY322 CY337 / CY332
Cylinder single	CY326 / CY321 CY336 / CY331	CY326 / CY321 CY336 / CY331
Cylinder and turn	CY328 / CY323 CY338 / CY333	CY328 / CY323 CY338 / CY333
Strikes	Flat 3R, 4, 4692 EA311 or EA312 See strikes page 23	Flat 3R, 4, 4692 EA311 or EA312 See strikes page 23
Cable	EA210	EA210

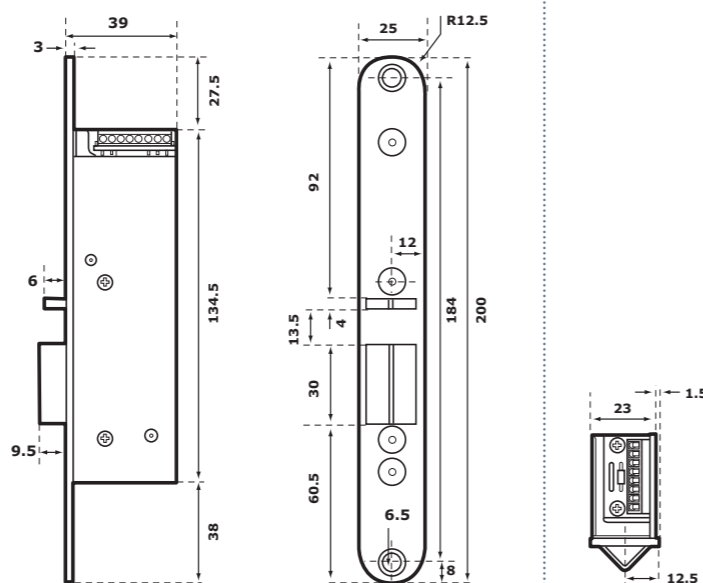
NB. Unless otherwise stated all electro-mechanical lockcase cylinders will be supplied as ABLOY PROTEC

351 U80

Fail unlocked electric lock for single or double action doors

Monitored

HIGH SECURITY ★★ ★



Features

- Non-handed
- Suitable for use on fire route doors
- The locking bolt is held in locked position by means of spring power
- When door closes, the bolt latches into the striking plate
- When power is applied to the lock while in the closed position the bolt will deadlock

- The distance between lock and striking plate can be adjusted by the use of spacers placed under the strike plate (included)
- Equipped with an armature and a trigger contact (both potential free switch over contacts)
- Meets prEN13637 building hardware standard with reliable unlocking under side pressure of up to 5000N

Monitoring

- Bolt position
- NB. The armature contact can be used for monitoring the lock status



TECHNICAL SPECIFICATION	12V OPTION	24V OPTION
Operating Voltage	12V DC (±1v)	24V DC (±2v)
Rated resistance	37.0 Ohm	150.0 Ohm
DC current consumption	320mA	160.0 mA
Resistance against door being forced	5,000N	5,000N
Extension of latch bolt	10mm	10mm
Admissible distance between lock face plate and strike	2-4.5mm	2-4.5mm
Forend finish	Stainless Steel	Stainless Steel

ACCESSORIES	
A0735-01	Surface housing with mounting component. Allows the 351 U80 to be surface mounted to glass doors or flush over panel, rebated or non-rebated
80235-01	Standard strike for doors up to 44mm (included)
80335-01	Strike for thicker doors up to 54mm

EL590

For wooden or metal doors with latch bolt

Fail locked outside

Free egress from inside when handle fitted

HIGH SECURITY ★★ ★★

PE590

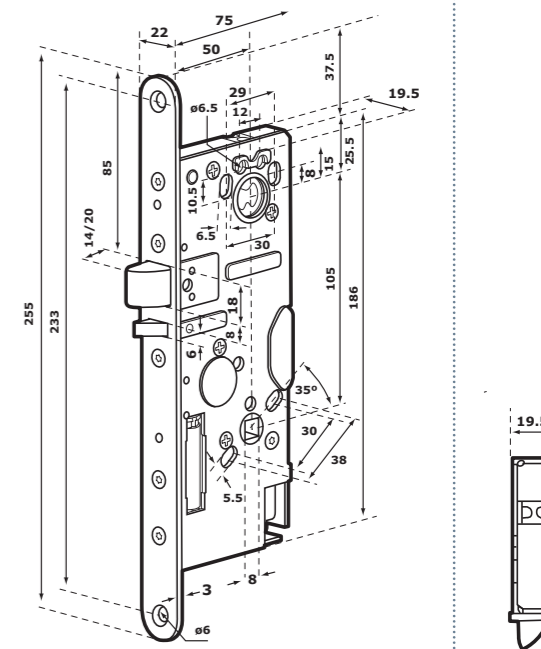
For wooden or metal doors with latch bolt

Fail locked outside

Free egress from inside when handle fitted

Meets EN1125 when used with PBE-002 panic bar

HIGH SECURITY ★★ ★★



Features

- Easily reversible dead bolt and trigger bolt
- Deadbolt throw can be configured to 14 or 20mm (PE590: 14mm only)
- Inside handle operates at all times or can be controlled electrically in two way access controlled doors (electrically controlled handle won't meet EN179 or EN1125)

- Meets EN179 and EN1125 for emergency and panic exits and EN1634-1 for fire resistance doors (when inside handle can be operated at all times and installed with suitable hardware)
- Tested to mechanical resistance standard EN12209
- Tested to draft standards prEN14846
- Retrofits mechanical Scandinavian mortice locks

Monitoring

- Bolt position, handle operation and request to exit (RQE).
- For cylinder indication additional component required 950885.



TECHNICAL SPECIFICATION	EL590	PE590
Operating voltage ±15%	12V DC to 24V DC stabilised	12V DC to 24V DC stabilised
Current max		
12V Idle	50mA	50mA
Normal	600mA (with 50N seal force)	600mA (with 50N seal force)
Max	1700mA	1700mA
24V Idle	23mA	23mA
Normal	250mA (with 50N seal force)	250mA (with 50N seal force)
Max	700mA	700mA
Temperature (°C)	-20 to +60	-20 to +60
Adjustable delay (secs)	1-20q	1-20
Backset (mm)		
Standard	29	29
Special	35	35
Forend standard	25	25
Spindle	8	8

ACCESSORIES	EL590	PE590
Cylinder single	CY037	CY037
Cylinder double	CY002	CY002
Strike	LP712/LP732/LP722	LP712/LP732/LP722
Handles (Presto)	3-20/030	3-20/030
Cable	EA217 (6M included) EA227 (10M)	EA217 (6M included) EA227 (10M)
Rebate set	REB9 or 10	REB9 or 10

EN1125 SOLUTION	PE590
Panic bar	PBE-002



NB. Unless otherwise stated all electro-mechanical lockcase cylinders will be supplied as ABLOY PROTEC
For handles please see pages 24-27.

New Product

EL490

For narrow stile doors with latch bolt
Fail locked outside
Free egress from inside when handle fitted

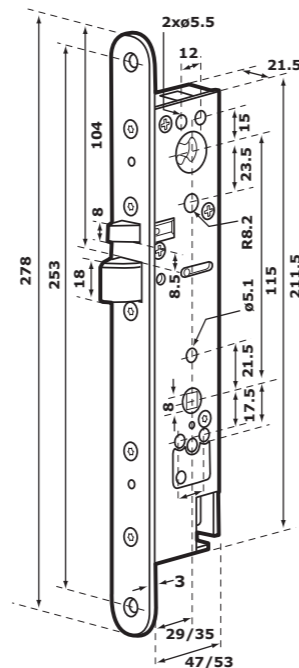
HIGH SECURITY ★★★★★

PE490

For narrow stile doors with latch bolt
Fail locked outside
Free egress from inside when handle fitted

Meets EN1125 when used with PBE-003 panic bar

HIGH SECURITY ★★★★★

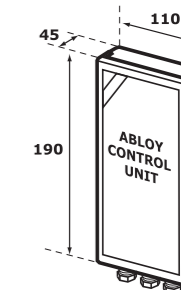
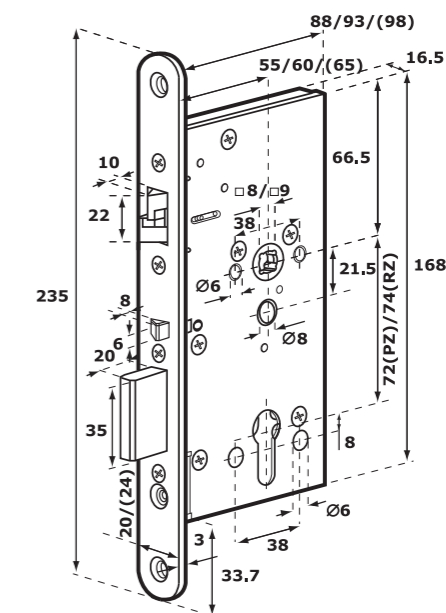


EL520

For wooden or metal doors, with deadbolt and anti-friction bolt.
Fail locked outside.
Free egress from inside when handle fitted. Control unit included

Meets EN1125 when used with 990000-SE panic bar

HIGH SECURITY ★★★★★



Note:
Lock cannot be fitted without the control unit (included in delivery)

Features

- Easily reversible dead bolt and trigger bolt
- Inside handle operates at all times or can be controlled electrically in two way access controlled doors (electrically controlled handle will not meet EN179 or EN1125)
- Meets EN179 and EN1125 for emergency and panic exit doors (when inside handle is mechanically controlled and installed with suitable hardware) and EN1634-1 for fire resistance (when used with correct exit hardware)
- Tested to draft standards prEN14846



Features

- Deadbolt is withdrawn by motor and thrown by spring force
- Deadbolt and anti-friction bolt are both deadlocked when door closes
- Anti-friction bolt is freed when deadbolt withdrawn by motor
- Easily reversible trigger bolt for all hands of door
- In the event of power failure deadbolt is automatically thrown, released by mechanical override
- Meets EN179 and EN1125 for emergency and panic exit doors and EN1634-1 for fire resistance (when used with correct exit hardware)
- Tested to draft standards for burglary prEN1627 and mechanical resistance EN12209

Monitoring

- Request to exit
- Bolt position
- Door position
- Cylinder operation

Fitting

- Please add 10mm to the case depth to allow for cable socket and plug
- Suitable for use with 990000-SE as part of the EL520 kit



TECHNICAL SPECIFICATION	EL490	PE490
Operating voltage ±15%	12V DC to 24V DC stabilised	12V DC to 24V DC stabilised
Current max 12V		
Idle	50mA	50mA
Normal	600mA (with 50N seal force)	600mA (with 50N seal force)
Max	1700mA	1700mA
24V		
Idle	23mA	23mA
Normal	250mA (with 50N seal force)	250mA (with 50N seal force)
Max	700mA	700mA
Temperature (°C)	-20 to +60	-20 to +60
Adjustable delay (secs)	1-20	1-20
Backset (mm)		
Standard	29	29
Special	35	35
Forend standard	25	25
Spindle	8	8

ACCESSORIES	EL490	PE490
Cylinder double	CY067	CY067
Single cylinder	CY047	CY047
Strikes	4613/4614 (inc)	4613/4614 (inc)
Strikes for wider frames	EA307/EA308	EA307/EA308
Handles (Primo) (Presto)	6317 3-20/0630	6317 3-20/0630
Cable	EA217 (6M included) EA227 (10M) EA288 (0.5m)	EA217 (6M included) EA227 (10M) EA288 (0.5m)

EN1125 SOLUTION	PE490
Panic bar	PBE-003

NB. Unless otherwise stated all electro-mechanical lockcase cylinders will be supplied as ABLOY PROTEC For handles please see pages 24-27.



TECHNICAL SPECIFICATION	
Operating voltage ±15%, -10%	12V AC to 18V AC 12V DC to 24V DC
Current 12V DC	
Idle	80mA
Norm	450mA
Max	1300mA
Current 24V DC	
Idle	40mA
Norm	220mA
Max	600mA
Adjustable delay (secs)	2-15
Temperature range (°C)	-20 to +60
Backset (mm)	
Standard	65
Special	55 and 60
Forend (mm)	
Standard	24
Special	20
Follower (mm)	9
Forend finish	SSS

ACCESSORIES	
Cylinder single	CY326/CY321/CY336/CY331
Strike	EA322(inc)
Handles (Futura) (Inoxi)	60-0119-SSS 3-19X/012/120PZ-BL-SSS
Cable	EA218(inc)
Rebate set	Reb 21, 22 or 23
Spindle converter (8-9mm)	807227(inc)

NB. Unless otherwise stated all electro-mechanical lockcase cylinders will be supplied as ABLOY PROTEC
SSS: Satin stainless steel. For handles please pages 24-27.

EN1125 solution	EL520
Panic bar	990000-SE



EL420

For narrow stile doors, with deadbolt and anti-friction bolt
Fail locked outside

Free egress from inside when handle fitted

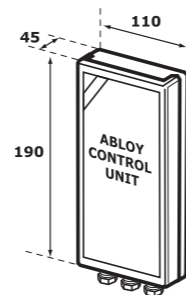
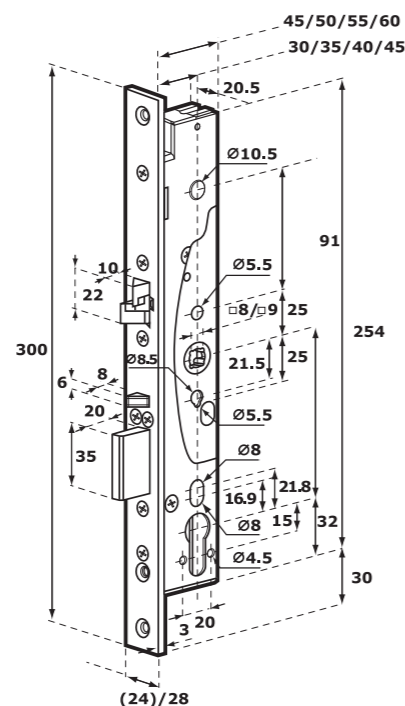
Control unit included

Meets EN1125 when used with 990001-SE panic bar

HIGH SECURITY ★★★★★



(DIN 18251)



Note:
Lock cannot be fitted without the control unit (included in delivery)

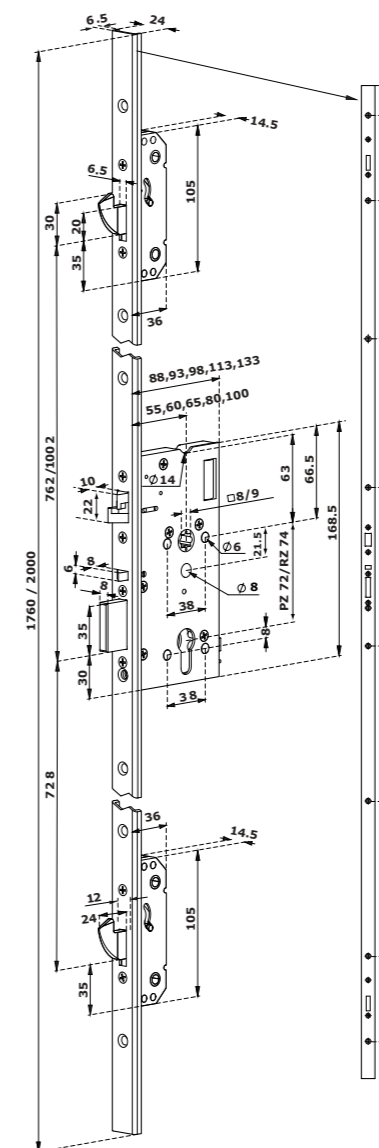
EL526

Multipoint solution

For wooden or metal doors, with deadbolt and anti-friction bolt. Fail locked outside. Free egress from inside when handle fitted. Control unit included

Meets EN1125 when used with 990000-SE panic bar

HIGH SECURITY ★★★★★



Features

- Deadbolt is withdrawn by motor and thrown by spring force
- Deadbolt and anti-friction bolt are both deadlocked when door closes
- Anti-friction bolt is freed when deadbolt withdrawn by motor
- Easily reversible trigger bolt for all hands of door
- In the event of power failure deadbolt is thrown automatically (released by mechanical override)
- Meets EN179 and EN1125 for emergency and panic exit doors and EN1634-1 for fire

resistance (when used with correct exit hardware)

- Tested to draft standards for burglary prEN1627 and mechanical resistance EN12209

Control switches

- Continuous – bolt remains in open position as long as circuit is closed
- Momentary – bolt deadlocks again after delay of 2-15 secs (adjustable)

Monitoring

- Request to exit

- Bolt position
- Door position
- Cylinder operation

Fitting

- For wooden doors please add 10mm to lockcase height above fitting to allow for cable socket and plug
- For wooden doors forend extension will be required
- Sold in a kit form with a panic bar, outside trim and cylinder to EN1125



TECHNICAL SPECIFICATION

Operating voltage
+15%, -10%
±15%

12V AC to 18V AC
12V DC to 24V DC

Current 12V DC

Idle 80mA
Norm 450mA
Max 1300mA

Current 24V DC

Idle 40mA
Norm 220mA
Max 600mA

Adjustable delay (secs) 2-15

Temperature range (°C) -20 to +60

Backset (mm)

Standard 30, 35
Special 40, 45

Forend

Standard 24
Special 28

Follower (mm) 9

Forend finish SSS

ACCESSORIES

Cylinder single CY326/CY321/CY336/CY331

Cylinder double CY327/CY322/CY337/CY332

Cylinder single with thumbturn CY328/CY323/CY338/CY333

Strike EA322(inc)

Handles (Inoxi) (Futura) 3-19X/013/120PZ+BL-SSS
60-0719

Cable EA218(inc)

Spindle converter (8-9mm) 807227(inc)

NB. Unless otherwise stated all electro-mechanical lockcase cylinders will be supplied as ABLOY PROTEC

SSS: Satin stainless steel.

For handles please see pages 24-27

EN1125 solution

EL420

Panic bar 990001-SE

New
Product

TECHNICAL SPECIFICATION

Operating voltage
+15%, -10%
±15%

12V AC to 18V AC
12V DC to 24V DC

Current 12V DC

Idle 80mA
Norm 450mA
Max 1300mA

Current 24V DC

Idle 40mA
Norm 220mA
Max 600mA

Adjustable delay (secs) 2-15

Temperature range (°C) -20 to +60

Backset (mm)

Standard 65
Special 55 and 60

Forend (mm)

Standard 24
Special 20

Follower (mm) 9

Forend finish SSS

ACCESSORIES

Cylinder single CY3326/CY321/CY3336/CY331

Strike (included) EA322 and 2 x EA306

Handles (Futura) (Inoxi) 60-0119-SSS
3-19X/012/120PZ+BL-SSS

Cable EA218(inc)

Rebate set Reb 21, 22 or 23

Spindle converter (8-9mm) 807227(inc)

NB. Unless otherwise stated all electro-mechanical lockcase cylinders will be supplied as ABLOY PROTEC

SSS: Satin stainless steel. For handles please see pages 24-27

EN1125 solution

EL526

Panic bar 990000-SE

New
Product

Features

- Deadbolt is withdrawn by motor and thrown by spring force
- Deadbolt and anti-friction bolt are both deadlocked when door closes
- Anti-friction bolt is freed when deadbolt withdrawn by motor
- Easily reversible trigger bolt for all hands of door
- In the event of power failure deadbolt is automatically thrown, released by mechanical override
- Meets EN179 and EN1125 for emergency and panic exit doors and EN1634-1 for fire resistance (when used with correct exit hardware)
- Tested to draft standards for burglary prEN1627 and mechanical resistance EN12209

Control switches

- Continuous – bolt remains in open position as long as circuit is closed
- Momentary – bolt deadlocks after a delay of 2-15 secs (adjustable)

Monitoring

- Request to exit
- Bolt position
- Door position
- Cylinder operation

Fitting

- Please add 10mm to the case depth to allow for cable socket and plug
- Suitable for use with 990000-SE as part of the EL520 kit
- Sold in a kit form with a panic bar, outside trim and cylinder to EN1125



▼

EL426

Multipoint solution

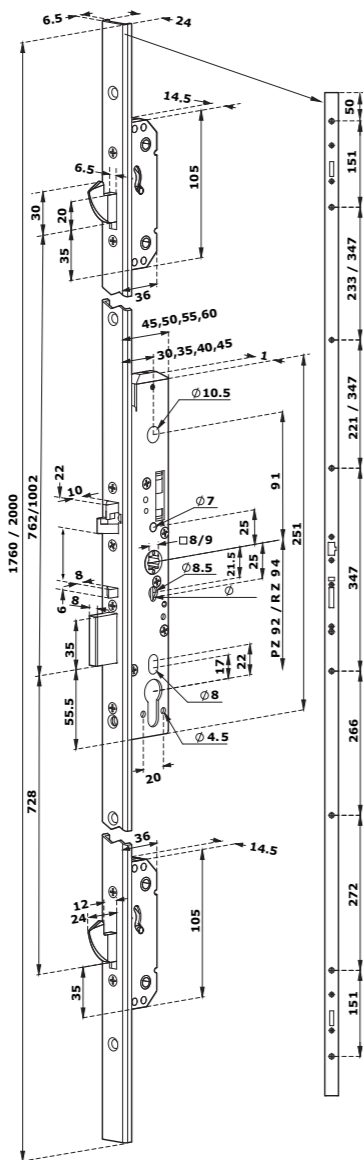
For narrow stile doors, with deadbolt and anti-friction bolt. Fail locked outside. Free egress from inside when handle fitted. Control unit included

Meets EN1125 when used with 990001-SE panic bar

HIGH SECURITY ★★★★★



(DIN 18251)



Features

- Deadbolt is withdrawn by motor and thrown by spring force
- Deadbolt and anti-friction bolt are both deadlocked when door closes
- Anti-friction bolt is freed when deadbolt withdrawn by motor
- Easily reversible trigger bolt for all hands of door
- In the event of power failure deadbolt is thrown automatically (released by mechanical override)
- Meets EN179 and EN1125 for emergency and panic exit doors and EN1634-1 for fire resistance (when used with correct exit hardware)

- Tested to mechanical resistance EN12209

Control switches

- Continuous – bolt remains in open position as long as circuit is closed
- Momentary – bolt deadlocks again after delay of 2-15secs (adjustable)

Monitoring

- Request to exit
- Bolt position
- Door position
- Cylinder operation

Fitting

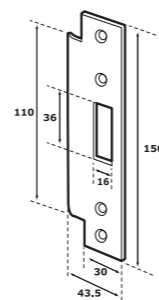
- For wooden doors please add 10mm to lockcase height above fitting to allow for cable socket and plug
- Sold in a kit form with a panic bar, outside trim and cylinder to EN1125



▼

EA312

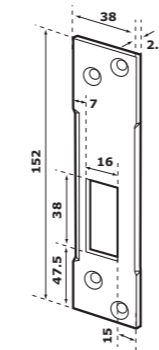
Flat strike with lead in edge (hardened steel)



▼

EA307/EA308

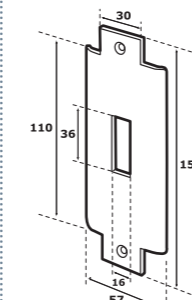
suitable 7/15mm strike for metal doors



▼

EA311

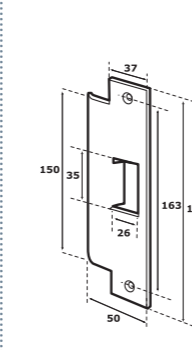
Flat 2R Flat strike with double lead in edge (hardened steel)



▼

4610

Strike for metal flush frames

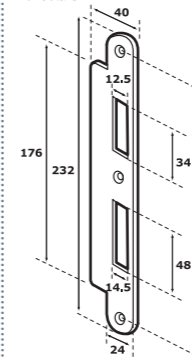


▼

EA322

Flat strike with lead in edge to suit DIN/Europrofile mortice locks (hardened steel).

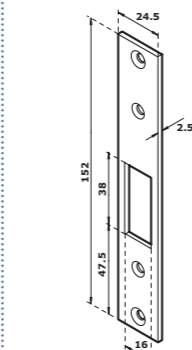
NB special strikes are available for steel or PVCU door frames – please ask for details



▼

4613

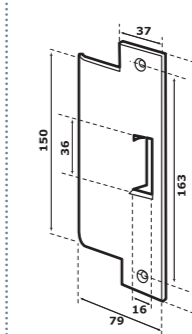
Strike for narrow profile metal doors



▼

Flat4

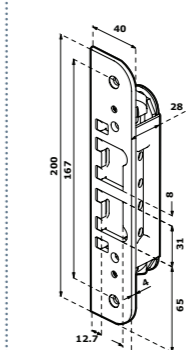
Flat strike with lead in edge to suit 100mm frame



▼

LP712

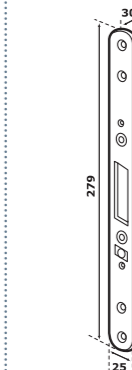
Strike for wooden flush doors



▼

EA300

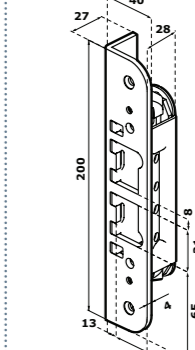
Strike for wooden and metal flush doors)



▼

LP722

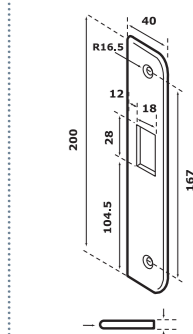
Strike for rebated wooden doors



▼

EA305

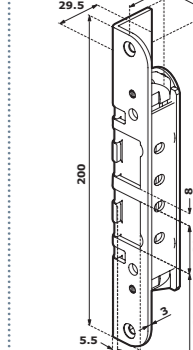
Strike for wooden flush doors



▼

LP732

Strike for rebated wooden doors



TECHNICAL SPECIFICATION

Operating voltage
+15%, -10%
±15%

12V AC to 18V AC
12V DC to 24V DC

Current 12V DC

Idle 80mA
Norm 450mA
Max 1300mA

Current 24V DC

Idle 40mA
Norm 220mA
Max 600mA

Adjustable delay (secs)

2-15

Temperature range (°C)

-20 to +60

Backset (mm)

Standard 30, 35
Special 40, 45

Forend

Standard 24
Special 28

Follower (mm)

9

Forend finish

SSS

ACCESSORIES

Cylinder single CY326/CY321/CY336/CY331

Cylinder double CY327/CY322/CY337/CY332

Cylinder single with thumbturn CY328/CY323/CY338/CY333

Strike (included) EA322 and 2 x EA306

Handles (Inoxi) (Futura) 3-19X/013/120PZ+BL-SSS
60-0719

Cable EA218(inc)

Spindle converter (8-9mm) 807227(inc)

NB. Unless otherwise stated all electro-mechanical lockcase cylinders will be supplied as ABLOY PROTEC

SSS: Satin stainless steel.

For handles please see pages 24-27

EN1125 solution

Panic bar 990001-SE

New
Product

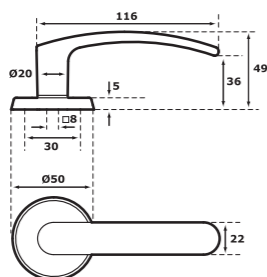
COMPATIBILITY

LOCK	EA312	EA311	FLAT3R	FLAT4	EA300	EA305	EA306	EA307	EA322	4610	4613	4614	LP711	LP712	LP714	LP721	LP722	LP731	LP732	
EL520																				
EL590																				
EL420																				
EL480 / EL490																				
EL560 / EL561																				
EL410 / EL411																				
EL460 / EL461																				
EL580 / EL582																				
EL402 / EL404 EL402F/UN / EL403																				
PE590																				
EL502																				
PE490																				
EL566 / EL426																				

6/004PZ+BL



6/007

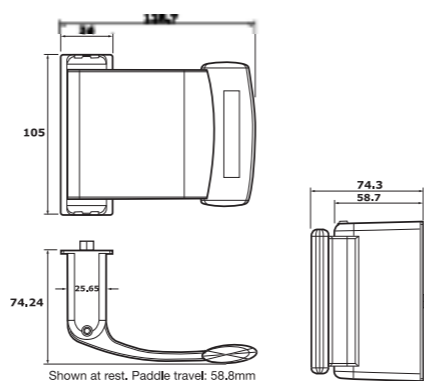


6/010PZ+BL



4591

PPE004



3-20/030



3-20/630



COMPATIBILITY	EL490	EL590	EL580	EL582	EL410	EL411	EL402	EL502
6/007			•	•				
4591					•	•		
PPE004							•	•
3-20/030		•						
3-20/630	•							

Features

Meets the requirements of BS EN179 for escape levers
 Handle dimensions meet the requirements of the Disability Discrimination Act (1995) and Equality Act (2010)

'Return to door' design ideal for fire escape doors

Fixing plates are made of stainless steel with 2 pairs of holes placed to suit DIN or Scandinavian standards
 Stainless steel tube, 1.25mm thick, to prevent overload of the lockcase, with no need for a support spring

Supplied complete with relevant escutcheons, roses/plates and fixings

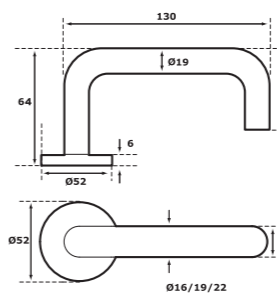
60-0219-PSS

60-0319-SSS

60-0519-PSS

60-0619-PSS

Lever on round rose

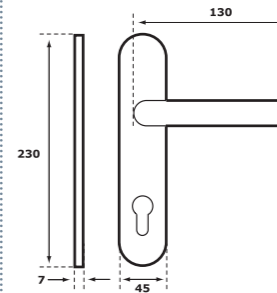


60-0119-SSS

Lever on longplate
 • Knobs on outside of door

60-0419-SSS

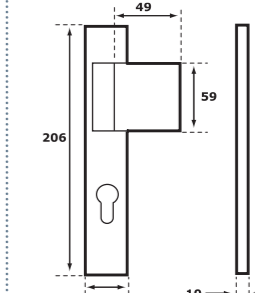
Lever on longplate
 • Pair of handles



60-0719-SSS

60-0819-SSS

Fixed pad and lever on narrow longplate



COMPATIBILITY	EL520	EL590	EL560	EL561	EL580	EL582	EL420	EL460	EL461
60-0119-SSS	•								
60-0219-PSS		•							
60-0319-SSS			•	•					
60-0419-SSS			•	•					
60-0619-PSS					•	•			
60-0719-SSS							•		
60-0819-SSS								•	•

PSS: Polished stainless steel SSS: Satin stainless steel

Inoxi long-plate lever handle sets designed for use with ABLOY® electric locks, feature contemporary styling and EN179 compliance. Also approved for use on fire doors to standard EN1634-1.

Manufactured in stainless steel, these handle sets are available with 72mm centres as standard or in narrow style at 92mm.

Configuration options include handle/handle (unhanded) or pull/handle (handed).

3-19X/012/120PZ+BL-SSS



3-19X/012/120PZ+PZ-SSS



3-19X/012PZ+BL-SSS



3-19X/012PZ+PZ-SSS



3-19X/013/120PZ+BL-SSS



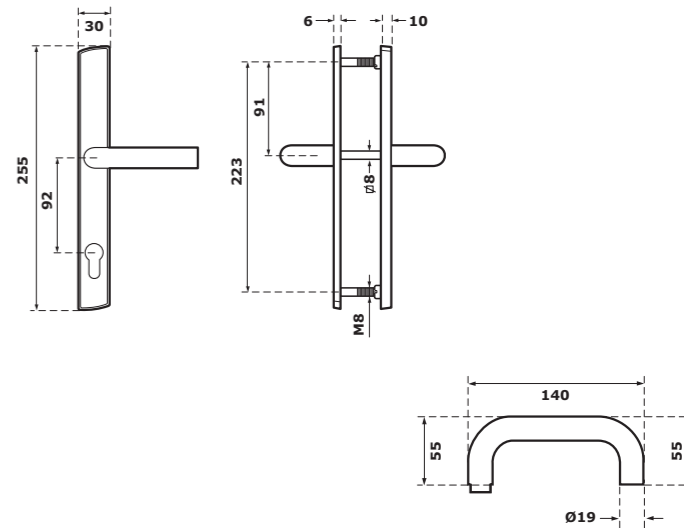
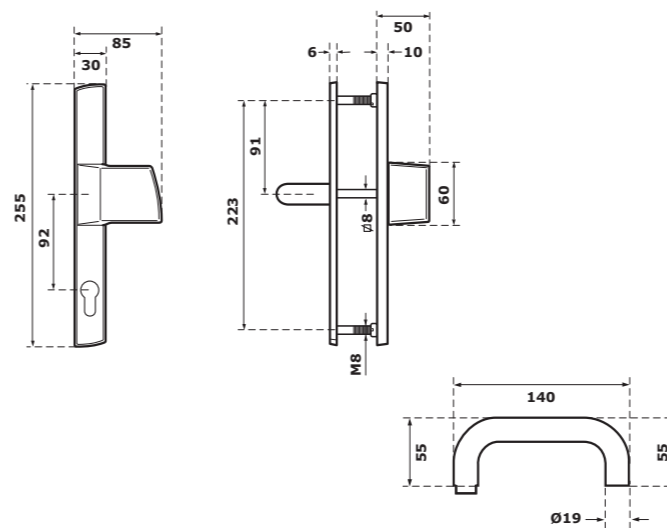
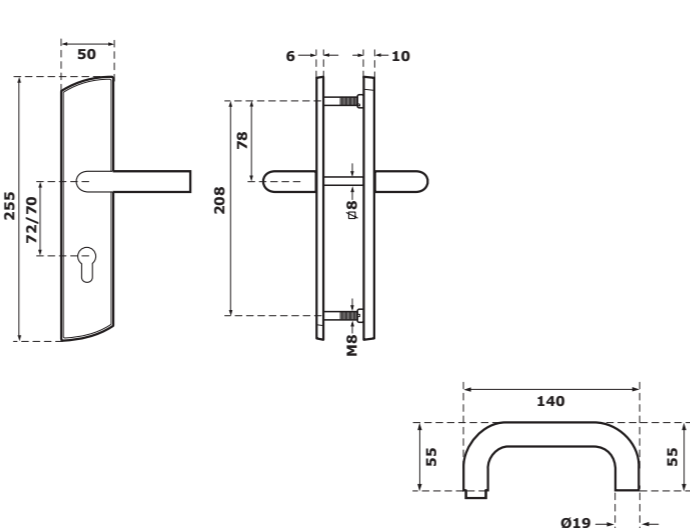
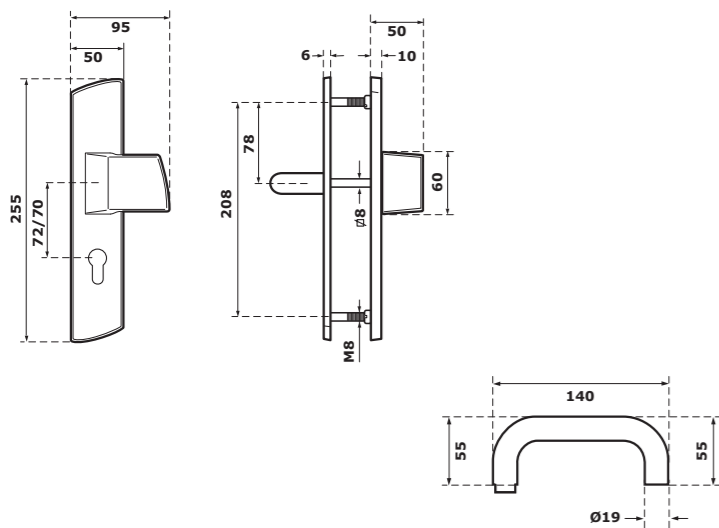
3-19/013/120PZ+PZ-SSS



3-19X/013PZ+BL-SSS

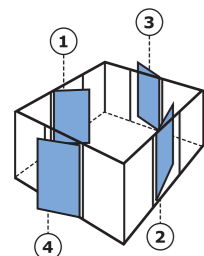


3-19X/013PZ+PZ-SSS



These products are handed. Please order either: H1-4 or H2-3

These products are handed. Please order either: H1-4 or H2-3



Handing

The correct hand of a door can be selected using this diagram. Standing inside the box looking out, choose your door hand from 1 to 4, determined by the hinge side and if the door opens inwards or outwards.

COMPATIBILITY	EL560	EL561	EL580	EL460	EL461	EL420	EL520
3-19X/012/120PZ+BL-SSS-H1-4							•
3-19X/012/120PZ+BL-SSS-H2-3							•
3-19X/012PZ+BL-SSS	•						
3-19X/012PZ+PZ-SSS		•					
3-19X/013/120PZ+BL-SSS-H1-4						•	
3-19X/013/120PZ+BL-SSS-H2-3						•	
3-19X/013PZ+BL-SSS				•			
3-19X/013PZ+PZ-SSS					•		



1940

Exit button



Heavy duty 'green dome' exit button on stainless plate. Contacts normally closed or normally open. Supplied with one gang back box



1076

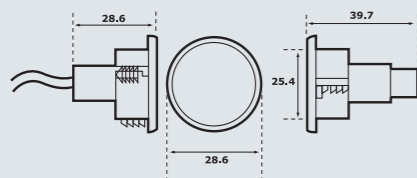
Door contact

Used to indicate the position of the door. For wood or steel doors.



Features

- Loop type: open or closed
- Electrical configuration: SPDT
- Max current: 0.25A
- Max voltage: 30V AC/DC
- Gap distance:
Wood – 25mm
Steel – up to 12mm



KGGI/SG

Break-glass emergency call point

Surface mounting. Standard colour green, white to special order



KGI

Pack of 5 replacement glasses



900 series

Power supply



901B

12/24V DC 2A battery standby power supply without batteries

901B-12

12V DC 2A battery standby power supply complete with one 12V 7Ah battery

901B-24

24V DC 2A battery standby power supply complete with two 12V 7Ah batteries

903B

12/24V DC 2A battery standby timed power supply without batteries

903B-12

12V DC 2A battery standby timed power supply complete with one 12V 7Ah battery

903B-24

24V DC 2A battery standby timed power supply complete with two 12V 7Ah batteries

900-12-1

1A power supply with battery back-up facility – 12V DC



EA280

Lead cover

For doors opening up to 120°



EA281

Lead cover

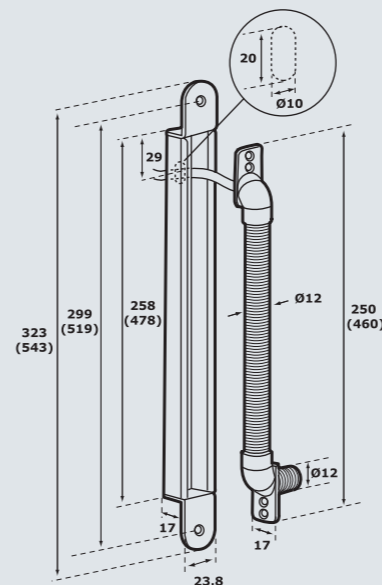
Extra long, for doors opening to 180°

Features

- Invisible when door is closed
- Enables the unbroken transfer of wires between door and frame
- Maximum diameter of wire bundle 7.5mm
- If distance from hinge pin to door frame is more than 20mm, the EA281 should be used
- Not for use on centrally pivoted doors

Finish

Chrome



NB. dimensions in brackets refer to EA281

Flush bolts

Used to secure the inactive leaf of a pair of doors



942NH

Automatic flush bolt for wooden doors (pair)



80

Spring loaded dust proof socket



842NH

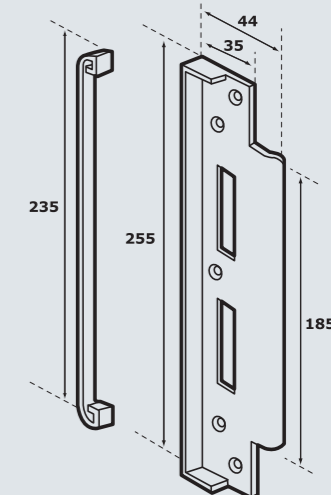
Automatic flush bolt for metal doors (pair)



Rebate kits



- REB7**
- REB8**
- REB9**
- REB10**
- REB21**
- REB22**
- REB23**



COMPATIBILITY	REB7	REB8	REB9	REB10	REB21	REB22	REB23
LOCKCASE	12mm	25mm	12mm	25mm	13mm	19mm	25mm
EL520					•	•	•
EL590			•	•			
EL560					•	•	•
EL561					•	•	•
EL580	•	•					
EL582	•	•					

Dimensions to suit lockcases (Reb21 illustrated)

▼

DL8

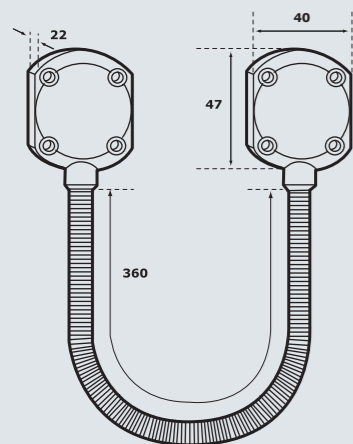
Surface mounted
armoured door loop

**Features**

- Enables the unbroken transfer of wires between door and frame (internal use only)
- Maximum cable diameter 8mm

Finish

- Satin anodised aluminium casting



▼

71KPF

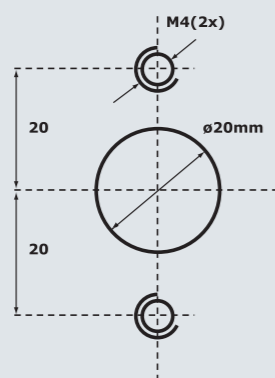
Frame bridge and spring

**Features**

- For the concealed transfer of cable from the frame to the door leaf
- Simple to fit
- Accepts 6mm cable
- Suitable for any metal door opening to a maximum of 100°
- For use with doors opening in excess of 100°
- Allows cable to move within bridge without damage or kinking

Finish

- Galvanised steel



Hole pattern

▼

DBB1

Morticer

**Features**

- An invaluable tool for fitting mortice locks efficiently
- Cuts a mortice for the body and face-plate
- Fast and accurate, saving time on fitting
- Carbide wood cutters
- The self-centring jig saves on marking-up time
- The vertical guides, height and depth stops mean that you cannot overrun the cut area
- Comes as a set complete with 3 carbide tipped cutters (18mm, 22mm and 24mm)

Academy
Centre for Excellence

A state of the art learning resource for the security industry.

Training and understanding of ASSA ABLOY products and all aspects of door locking



CLASSROOM

Electric locking course

Designed as a follow-up to the Foundations Course, we cover

- Basic electrics, including power supply units, relays, resistors, capacitors, voltage regulators and circuits
- Lock signals
- Connecting to access control
- Mechanical configuration, including product overview
- Standards compliance
- Emergency and panic escape
- Lock re-handing



WORKSHOP

Electric locks installation course

The course, originally designed for security companies, is also well attended by locksmiths and covers

- Morticing
- Factory fit practises
- Wiring
- Specialist tool training

To receive our prospectus or to reserve your place on a course, simply call us on

+44 (0)1902 364500

email academy@abloy.co.uk

or contact your Sales Account Manager.

There are two courses covering electric locking:



Academy
Centre for Excellence